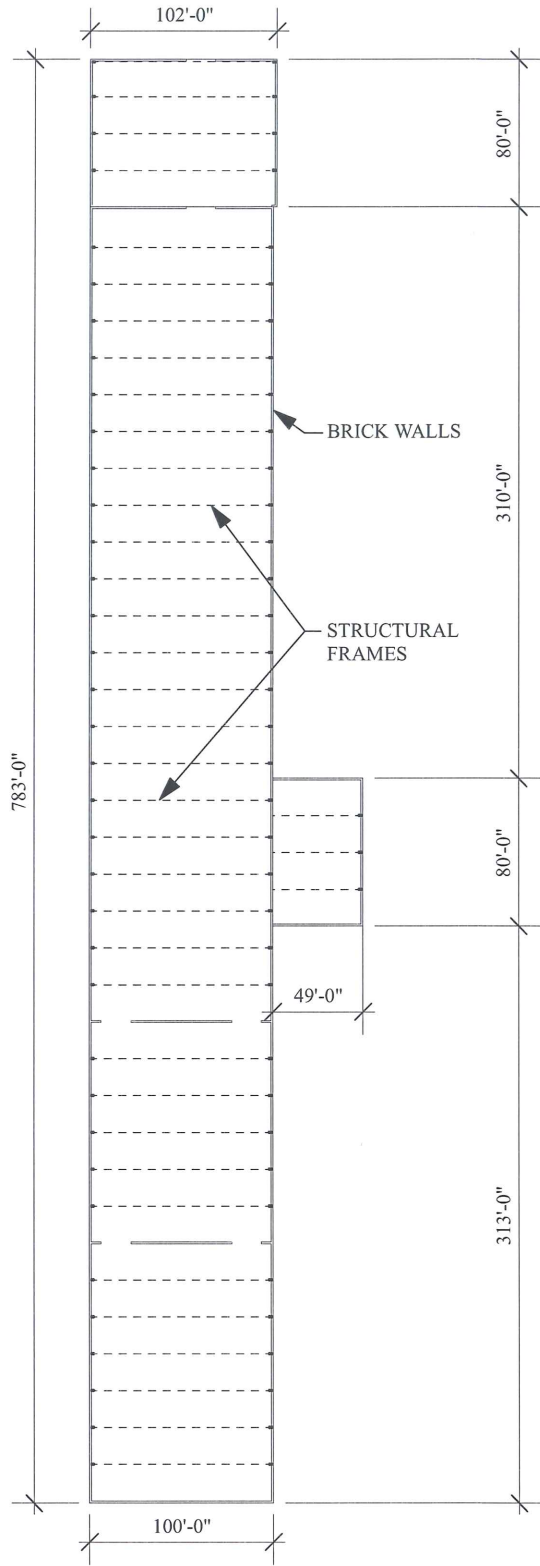




AERIAL VIEW OF ROOF
1" = 100'

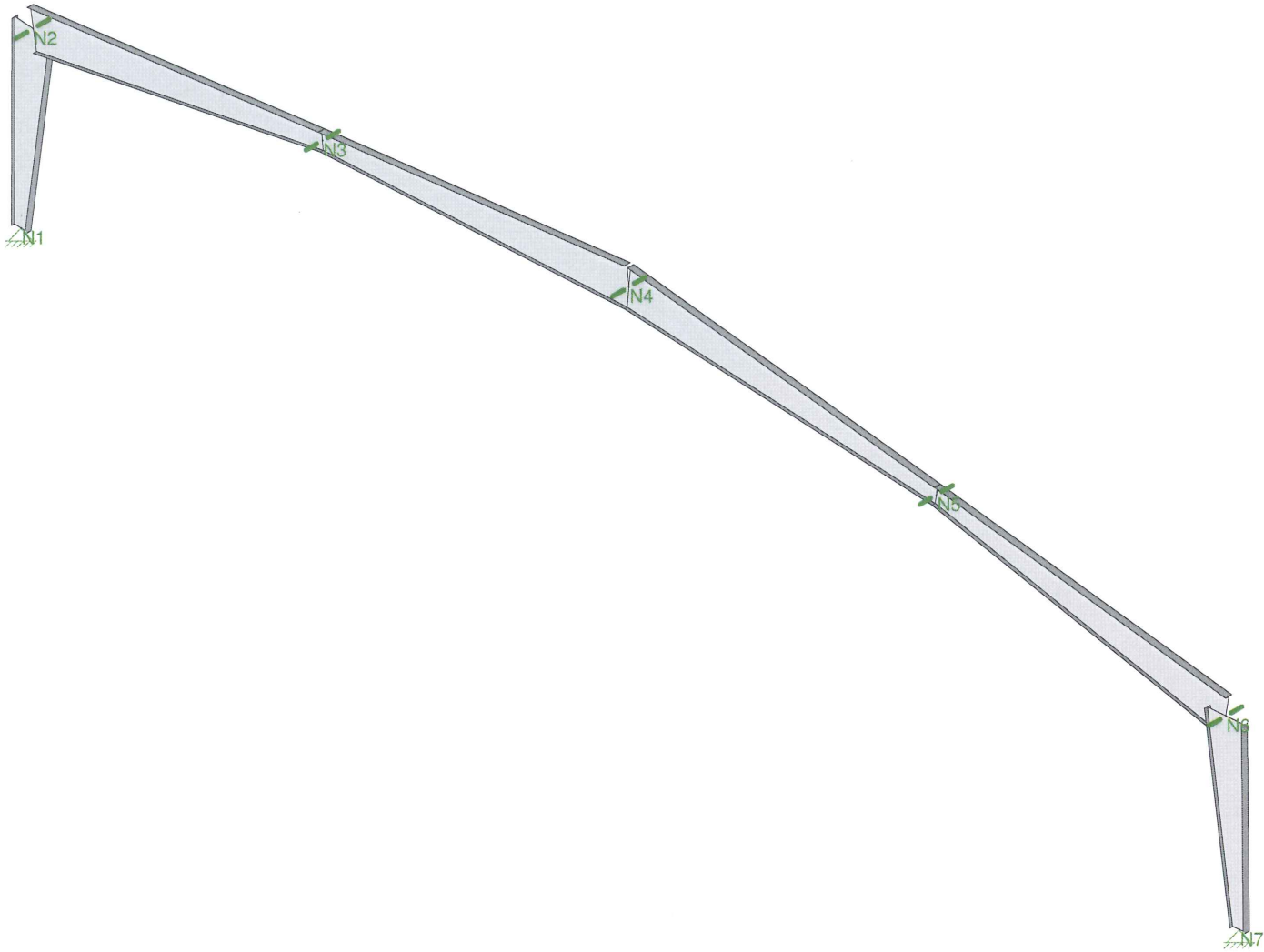
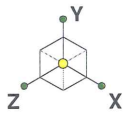


DIAGRAMMATIC FLOOR PLAN
1" = 100'



Mahaley Odell Thompson, AIA, Architect
P.O. Box 1983 Sylva, NC 28779 (828) 586-8686 (828) 399-0462 cell

Project: Drexel Bldg.
Date: 6/1/2015



Solution: Envelope

O&M Associates, PLLC

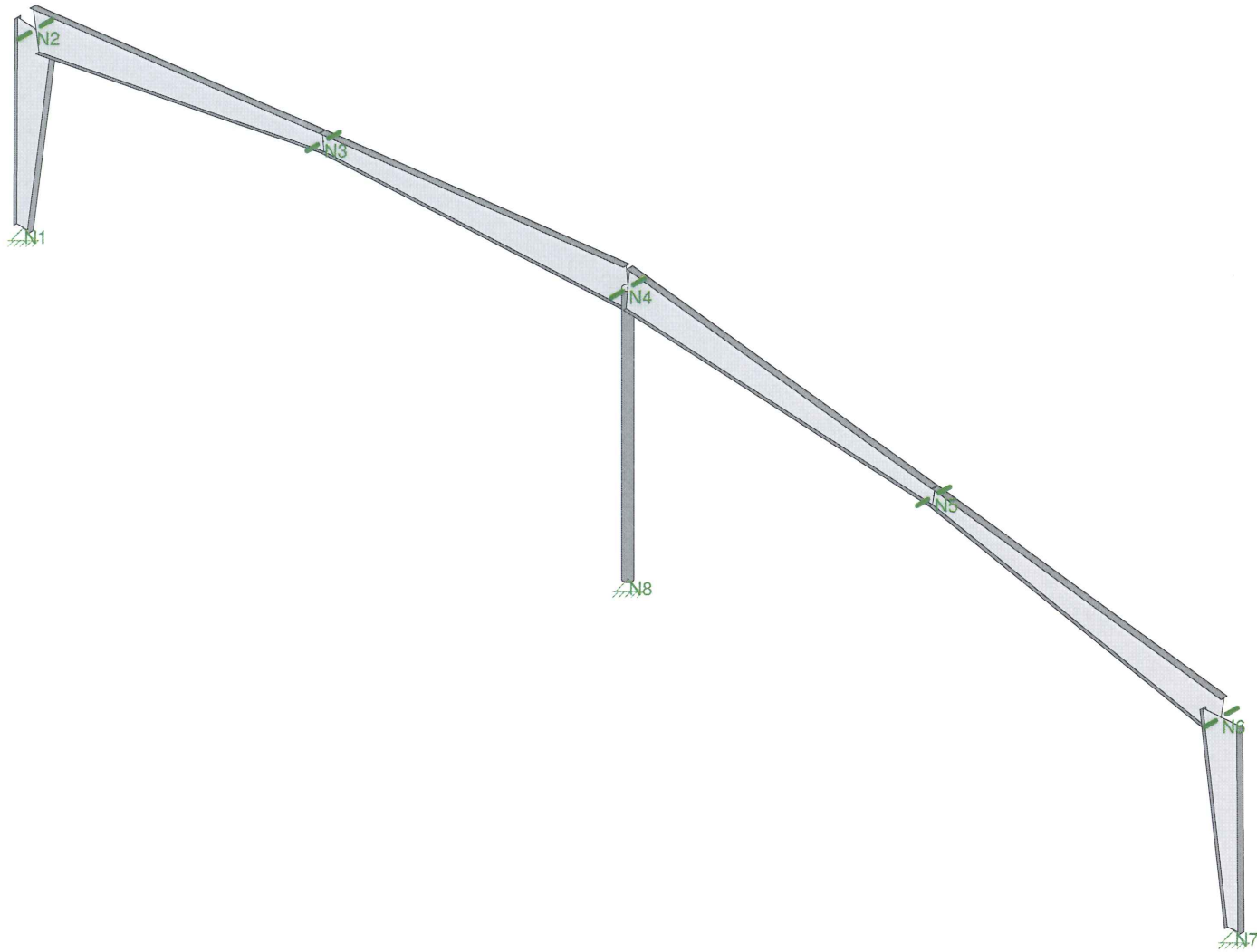
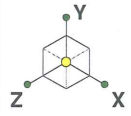
O. Rothberg

15109

Drexel Bldg Frames

May 23, 2015

buildingframe.r3d



Solution: Envelope

O&M Associates, PLLC

O. Rothberg

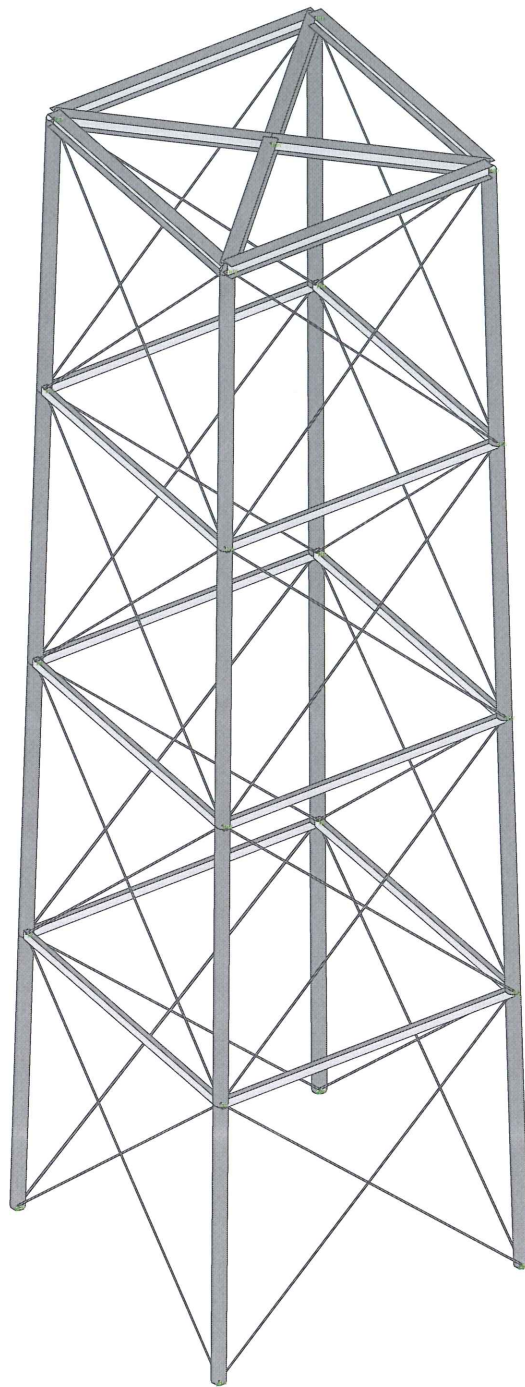
15109

Drexel Bldg Frames - WITH CENTER COL.

CENTER COLUMN ADDED

May 23, 2015

buildingframe-WITHCENTERCOL.r3d



O&M Associates, PLLC

O. Rothberg

15109

Drexel Water Tower

May 27, 2015

watertower-052715.r3d